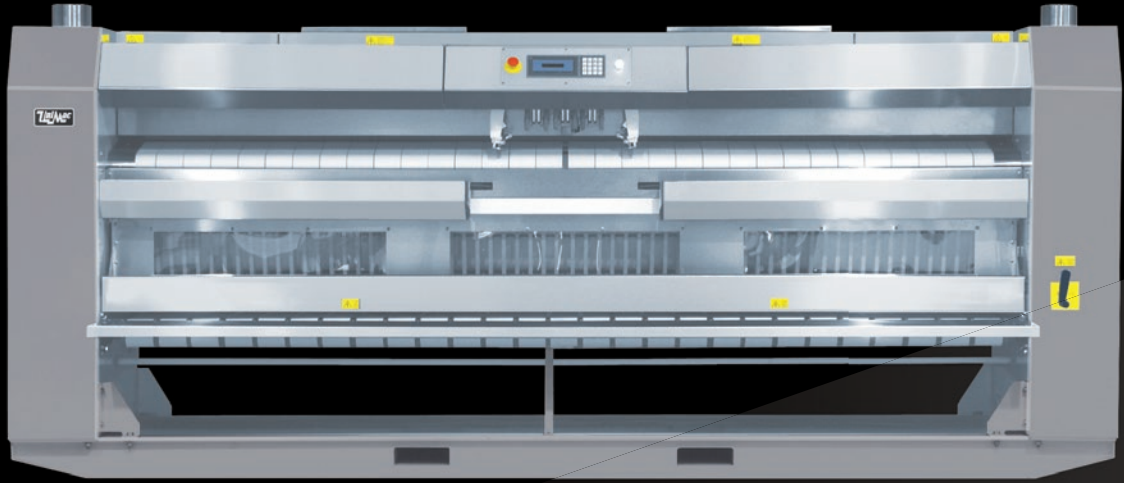




**Maximum Performance**



## **FCUFF 2000/500, FCUFF 2600/500, FCUFF 3200/500**

### **FEATURES AND BENEFITS**

- Large surface contact with linen over an angle of 300°
- Finger protection and emergency button for more safety
- Durable M-Aramid ironing belts
- Automatic cooldown
- Easy to operate microprocessor: 20 pre-set ironing programmes
- Indication of ironing speed and temperature
- Reverse mode possible
- Variable setups for folding
- Built-in feeding and length folding system
- Frequency controlled motor
- Easy to remove lint filters
- Standard anti-static bar
- Patented integrated length folding requires less maintenance (no ribbons and rolls)
- Electric, gas or steam heating

### **OPTIONS**

- Crossfolder and stacker
- Chrome-plated cylinder for a better thermal conduction

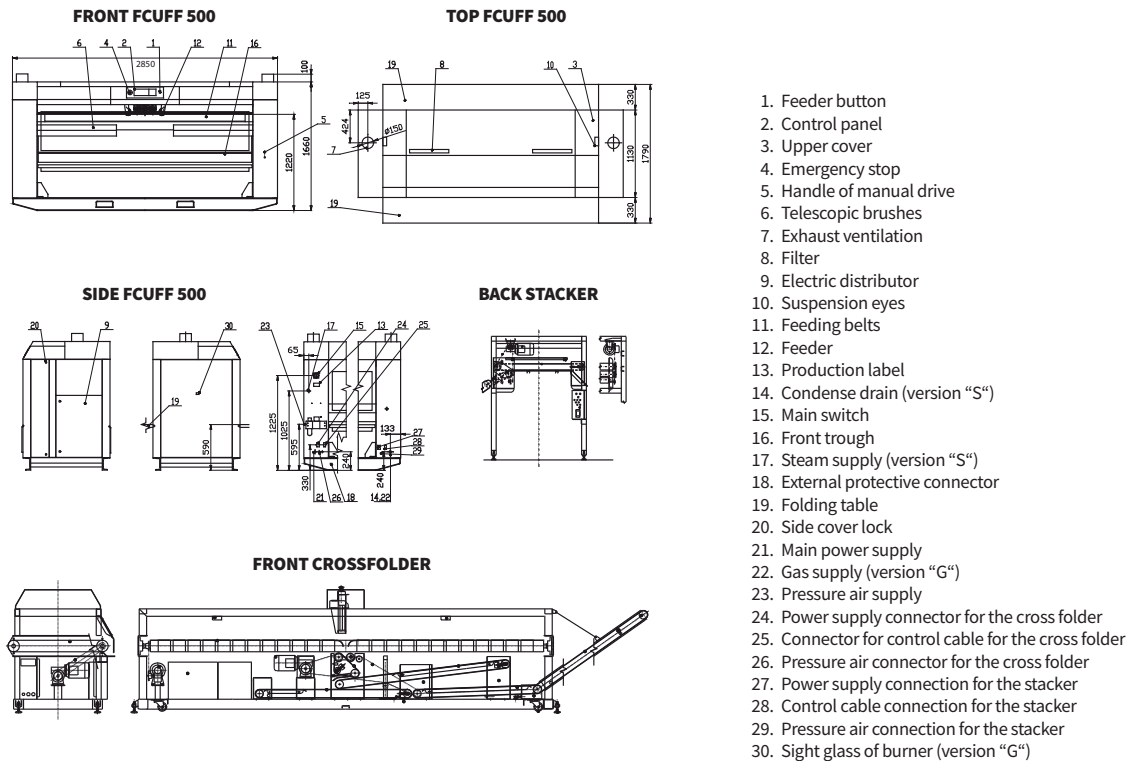
**INDUSTRIAL CYLINDER HEATED DRYING IRONERS  
WITH INTEGRATED FEEDING AND LENGTH FOLDING**

TYPE		FCUFF 2000/500	FCUFF 2600/500	FCUFF 3200/500
Roller diameter	mm	502	502	502
Useful roller length	mm	2000	2600	3200
<b>HEATING</b>				
Electric	kW	38	72	66
Gas	kW	36	52	66
Steam	kg/h	49	68	88
<b>MOTOR</b>				
Roller motor	kW	0,98	1,2	1,2
Fan motor	kW	0,18/0,255	2x0,18/0,255	2x0,18/0,255
<b>IRONING CAPACITY*</b>				
Electrical & gas heating	kg/h	80	95	120
Steam heating	kg/h	95	115	145
Residual moisture	%	40	40	40
Roller speed	m/min	1,5-8	1,5-8	1,5-8
Electrical connection		3x380-415V+N 50/60Hz 3x208-240V 50/60Hz	3x380-415V+N 50/60Hz 3x208-240V 50/60Hz	3x380-415V+N 50/60Hz 3x208-240V 50/60Hz
Compressed air connection**	inch	exterior: 1/2 - interior: 1/4	exterior: 1/2 - interior: 1/4	exterior: 1/2 - interior: 1/4
<b>DIMENSIONS</b>				
Ironer HxWxD unpacked	mm	1760x2850x1320	1760x3450x1320	1760x4050x1320
Crossfolder HxWxD unpacked	mm	-	1010x3430x870	1010x4020x870
Stacker HxWxD unpacked	mm	-	1280x2750x1040	1280x2750x1040
<b>TRANSPORT DATA</b>				
Net/gross weight	kg	1720/1990	2180/2460	2400/2770
Ironer HxWxD packed	mm	1990x2990x1370	1990x3590x1370	1990x4190x1370
Cross-folder net/gross	kg	-	515/760	560/810
Crossfolder HxWxD packed	mm	-	1400x3740x1050	1400x4340x1050
Stacker net/gross	kg	-	290/490	290/490
Stacker HxWxD packed	mm	-	1584x3044x1244	1584x3044x1244

\* Data from lab according to standard ISO9398-1. The actual capacity depends on laundry conditions and operators which could be 20% - 40% lower.

\*\* Compressor not included

The data concerning dimensions of machines include all extended parts



**TO LEARN MORE, OR TO FIND A DISTRIBUTOR IN YOUR AREA, VISIT UNIMAC.COM**  
**ALLIANCE LAUNDRY SYSTEMS - SHEPARD ST, RIPON WI 54971 - +1 800 587 5458**

Consult your UniMac® distributor for details. For the most accurate information, the installation guide should be used for all design and construction purposes. Due to continuous product improvements, design and specifications subject to change without notice. The quality management systems at Alliance Laundry Systems' Ripon facility has been registered to ISO 9001:2008.

©2018 Alliance Laundry Systems LLC.

UniMac® by Alliance Laundry Systems