

CUBE LINE

CH110

TYPE	Pass-through dishwasher
LINE	CUBE LINE
BASKET	500x500
SIZE	620x770x1435/1900h



Reliability and ease of use: these are the key words of the **CUBE** line. The **UP** control panel with buttons combines practicality and great durability. The simple and extremely efficient electronic card offers the possibility of setting and controlling the rinsing and draining times, the washing and rinsing temperatures and the relative Thermostops, crucial for ensuring excellent washing results. The **ADVANCE** panel (optional) is the real strength of the CUBE line thanks to its 4 washing cycles and one automatic drain cycle (with drain pump installed). On the control panel you can easily view the tank and boiler temperature, the messages of the Self-diagnosis system, the Scheduled Maintenance warning and the intelligent Start button, which changes colour to always display the dishwasher status very easily.

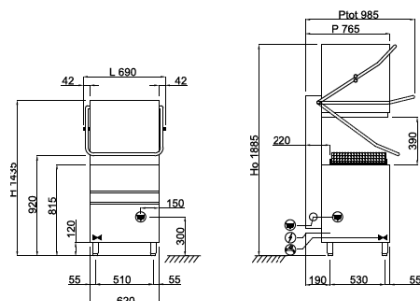
The **CH110** hood-type dishwasher is the right solution for establishments that have to wash different types of dishes, proving capable of washing glasses, dishes, medium-sized objects and GN 1/1 gastronorm trays in just a 620 mm width, ensuring a maximum productivity of 60 baskets/hour (1080 dishes/hour). The hood-type models are fitted with an easily removable basket support for easy cleaning and a **rounded moulded tank with integral filters** for perfect draining and absolute hygiene. The **"PUSH TO START"** cycle start system ensures less waste, preventing the start of empty washes. There are 4 wash cycles of 60, 90, 120, 240 seconds in the UP version.


The standard **double electric rinse-aid and detergent dispenser** ensures maximum hygiene at each wash cycle with great savings: the **moulded washing and rinsing arms** ensure reliability and durability. The bodywork is made entirely of **AISI 304 steel** and has been designed with all of the components in the front for **easy technical assistance**. Sturdy and reliable dishwashers to best deal with every moment of your day.


DISHWASHERS FEATURES	CUBE LINE CH110
Dimensions - (mm) L - P - H	620x770x1435/1900h
n° baskets/hour - (+55°C)	60/40/30
Height glass max	390mm
Ø height plate max	415mm
Height pot max	390mm
LT bread basket	40 (H=390mm)
Trays	GN1/1
Tank heating element - Tank capacity	4,5kW - 37lt
Boiler heating element - Boiler capacity	5,4kW - 7,3lt
Washing pump	1,34kW / 1,8 Hp
Total power input / Current	6,74kW / 16A
Standard input voltage	400V3N+T 50Hz
Recommended inlet water temperature	+55°C
Water hardness	7÷10 °f
Water consumption per cycle (inlet suggested pressure 2 BAR)	2,0lt
Adjustable detergent and rinse-aid dispenser	ELECTRIC
STANDARD EQUIPMENT	
Cutlery insert	1
Basket for glasses dim.500x500x100mm	1
Basket for 18 dishes dim.500x500x100mm	2
Integral tank filter	2
OPTION	
UNIKO touch display with IKLOUD Wi-Fi control	-
Booster pump kit 0,5Hp	●
Drain pump kit 40W	-
Boiler heating element 4,5kW	●
Boiler heating element 9kW	●
Stainless steel tank filter kit for rack dishwasher 500x500	●
Reverse osmosis system	-
Basket for trays with 4 compartments dim.500x500x200mm	●
Inclined basket for wine glasses dim.500x500x170mm	●
Kit 4 Stainless steel feet 50-70mm	●


● INSTALLABLE ACCESSORY , - NOT INSTALLABLE ACCESSORY

CH110



 400V3N+T 6,52kW
L=1950 (5 POLES)

 G 3/4" M
L=1200

 Ø25x30
L=1550