



# ELITECH LINE

## EL951E

TYPE	Warewasher
LINE	ELITECH LINE
BASKET	600x670
SIZE	775x810x1360h

Thanks to its dimensions, the **EL951E** model can be used **both as large dishwasher and as warewasher**. In fact, its basket can wash 26 dishes per cycle, GN1/1 gastronorm trays, baking trays and 600x400 dough trays and objects measuring up to 575x645x445(h)mm with a maximum productivity of 30 baskets/hour (780 dishes/hour). The practical work height facilitates loading while the double walls improve thermal-acoustic insulation. The **rounded moulded tank with integral filters** ensures maximum hygiene and perfect draining.

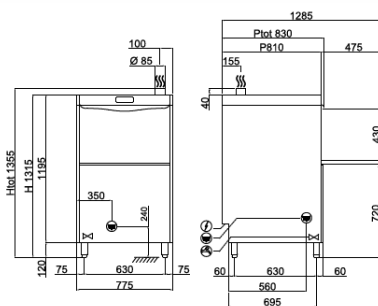
The dishwashers of the **ELITECH** line ensure maximum performance thanks to the standard Acquatech System which, through an atmospheric boiler and rinse pump, maintains **constant temperature and pressure** and optimum water consumption. Elitech ensures a sanitising rinse cycle and proves to be the perfect choice for canteens, nursing homes, pastry shops, bakers and butchers where compliance with HACCP rules is essential. For anyone seeking perfectly sparkling glasses, it is possible to connect a **Reverse Osmosis System** which purifies water and reduces detergent and rinse-aid consumption, ensuring excellent results and perfect glasses without the need for hand drying. The innovative **UNIKO tempered glass touch screen display** makes any operation simple and intuitive, from the choice of the most suitable wash cycle to its progress control, as well as constantly monitor the status of the dishwasher with ease. The large variety of wash cycles makes the dishwasher customisable according to your needs. Constant self-diagnosis allows you to minimise machine downtime, promptly warning the technician through the **Wi-Fi IKLOUD** control system that offers the possibility of remotely changing the dishwasher parameters and resolving the situation in real-time.


The electronic control allows you to manage various parameters to give you an absolute customisation level and the continuous **self-diagnosis** allows you to **minimise machine downtime**, suggesting some operations that need to be verified. The **self-cleaning cycle** at the end of the day cleans the wash tank and empties the hot water from the boiler, preventing limestone from building up inside. The standard **double peristaltic electric rinse-aid and detergent dispenser** ensures the best result from each wash cycle with great savings thanks to the precise dosage managed by the electronic card; whereas, the **moulded washing and rinsing arms** ensure great reliability and durability. The **Thermo-stop** function checks that washing and rinsing begin only when the desired temperature is reached. The bodywork is made entirely of **AISI 304** s


DISHWASHERS FEATURES	ELITECH LINE EL951E
Dimensions - (mm) L - P - H	775x810x1360h
n° baskets/hour - (+55°C)	Max 30
Ø height plate max	430mm
Height pot max	445mm
LT bread basket	60 (H=445mm)
Trays	GN1/1-60x40
Tank heating element - Tank capacity	4,5kW - 37lt
Boiler heating element - Boiler capacity	5,4kW - 12lt
Washing pump	2,0kW / 2,7Hp
Total power input / Current	7,4kW / 16A
Standard input voltage	400V3N+T 50Hz
Recommended inlet water temperature	+55°C
Water hardness	7÷10 °f
Water consumption per cycle (inlet suggested pressure 2 BAR)	2,0lt GUARANTEED
Adjustable detergent and rinse-aid dispenser	ELECTRIC
Acquatech system rinse	si
<b>STANDARD EQUIPMENT</b>	
8 division cutlery insert	1
Integral tank filter	2
Inox basket dim.600x670x100mm	1
Basket for trays with 5 compartments	1
<b>OPTION</b>	
UNIKO touch display with IKLOUD Wi-Fi control	●
Input voltage 230V/3+T	●
Booster pump kit 0,5Hp	-
Drain pump kit 40W	●
Boiler heating element 4,5kW	●
Boiler heating element 9kW	●
Reverse osmosis system	●
Kit 4 Stainless steel feet 50-70mm	-


● INSTALLABLE ACCESSORY , - NOT INSTALLABLE ACCESSORY

## EL951E



 400V3N+T 7,40kW  
L=1950 (5 POLES)

 G 3/4" M  
L=1200

 Ø25x30  
L=1550