



# KORAL LINE K1100E

TYPE	Pass-through dishwasher
LINE	KORAL LINE
BASKET	500x500
SIZE	620x770x1435/1900h

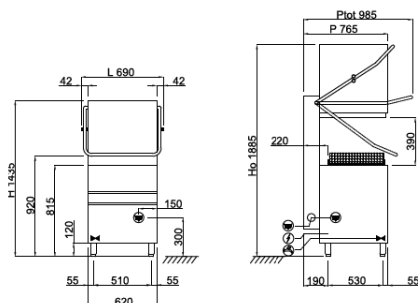
The **KORAL** line is distinguished by its wide range of models suitable for any situation. Through the electronic card, the control system provides great customisation options based on your needs, allowing you to accurately adjust any parameter and ensure optimum washing results. The innovative UNIKO tempered glass touch screen display makes any operation simple and intuitive, from the choice of most suitable wash cycle to its progress control, as well as constantly monitoring the dishwasher state with ease. The large variety of wash cycles makes the dishwasher customisable according to your needs. Constant self-diagnosis allows you to minimise machine downtime, promptly warning the technician through the Wi-Fi IKLOUD control system that gives the possibility of remotely changing the dishwasher parameters and resolving the situation in real-time.


The **K1100E** hood-type dishwasher is the most suitable solution for establishments that have to wash different types of dishes, proving capable of washing glasses, dishes, medium-sized objects and GN 1/1 gastronorm trays in just a 620 mm width, ensuring a maximum productivity of 60 baskets/hour (1080 dishes/hour). The hood-type models are fitted with an easily removable basket support for easy cleaning and a **rounded moulded tank with integral filters** for perfect draining and absolute hygiene. The **"PUSH TO START"** cycle start system ensures less waste preventing the start of empty washes.


The electronic control allows you to manage various parameters to give you an absolute customisation level and the continuous **self-diagnosis** allows you to **minimise machine downtime**, suggesting some operations that need to be verified. The **self-cleaning cycle** at the end of the day cleans the wash tank and empties the hot water from the boiler, preventing limestone from building up inside. The standard **double peristaltic electric rinse-aid and detergent dispenser** ensures the best result from each wash cycle with great savings thanks to the precise dosage managed by the electronic card; whereas, the moulded washing and rinsing arms ensure great reliability and durability. The **Thermo-stop** function checks that washing and rinsing begin only when the desired temperature is reached. The bodywork is made entirely of **AISI 304**


DISHWASHERS FEATURES		KORAL LINE K1100E
Dimensions - (mm) L - P - H		620x770x1435/1900h
n° baskets/hour - (+55°C)		Max 60
Height glass max		390mm
Ø height plate max		415mm
Height pot max		390mm
LT bread basket		40 (H=390mm)
Trays		GN1/1
Tank heating element - Tank capacity		4,5kW - 37lt
Boiler heating element - Boiler capacity		5,4kW - 7,3lt
Washing pump		1,34kW / 1,8Hp
Total power input / Current		6,52kW / 16A
Standard input voltage		400V3N+T 50Hz
Recommended inlet water temperature		+55°C
Water hardness		7÷10 °f
Water consumption per cycle (inlet suggested pressure 2 BAR)		2,0lt
Adjustable detergent and rinse-aid dispenser		ELECTRIC
STANDARD EQUIPMENT		
Basket for glasses dim.500x500x100mm		1
Basket for 18 dishes dim.500x500x100mm		2
8 division cutlery insert		1
Integral tank filter		2
OPTION		
UNIKO touch display with IKLOUD Wi-Fi control		●
Input voltage 230V/3+T		●
Booster pump kit 0,5Hp		●
Drain pump kit 40W		●
Boiler heating element 4,5kW		●
Boiler heating element 5,4kW		●
Reverse osmosis system		-
Basket for trays with 4 compartments dim.500x500x200mm		●
Inclined basket for wine glasses dim.500x500x170mm		●
Kit 4 Stainless steel feet 50-70mm		-
Remote control with LCD display		●
● INSTALLABLE ACCESSORY , - NOT INSTALLABLE ACCESSORY		

## K1100E



 400V3N+T 6,52kW  
L=1950 (5 POLES)

 G 3/4" M  
L=1200

 Ø25x30  
L=1550