



Maximum Performance



UA80-105-135

FEATURES AND BENEFITS

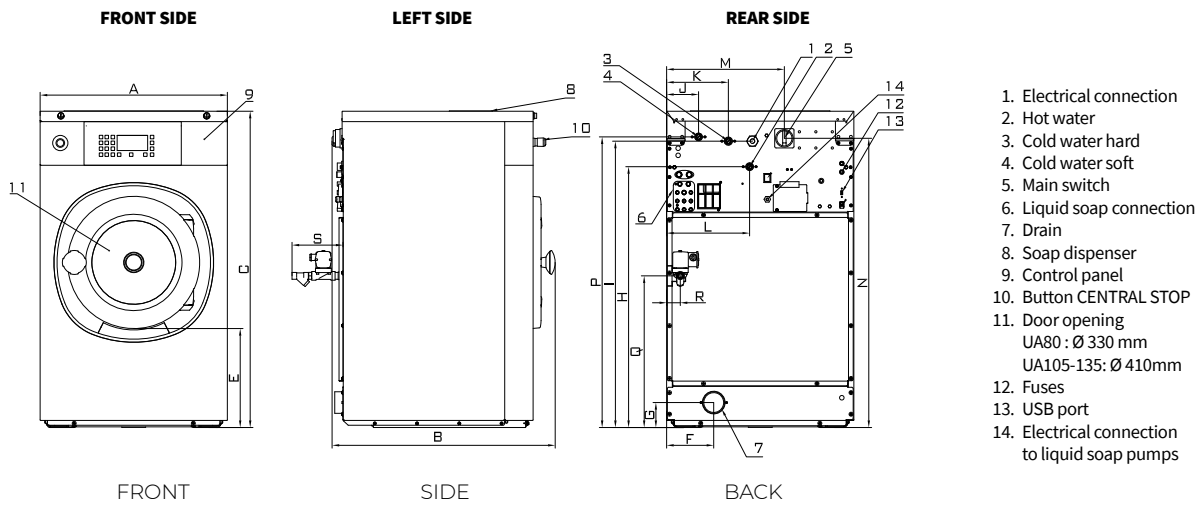
- Rigid mounted, normal spin, 200G factor
- Stainless steel panels
- Stainless steel drum and tub
- PROform – fully programmable microprocessor
- Patented soap hopper
- Large drain valve (Ø 76 mm)
- Easy access to all vital parts from the front
- Large door opening for easy loading & unloading

OPTIONS

- USB plug (on the back panel)
- Liquid soap connection
- Steam heating version
- Liquid soap pumps
- Water recovery kit
- Drain pump (UA80)
- 3rd water inlet

HIGH EFFICIENT HARDMOUNT INDUSTRIAL WASHER EXTRACTORS

TYPE		UA80	UA105	UA135
INNERDRUM				
Capacity (1:10)	kg	8	11	14
Volume	l	75	105	135
Diameter	mm	530	620	620
DRUM SPEED				
Wash	rpm	50	46	46
Extraction	rpm	820 (580 with 100G)	760 (540 with 100G)	760 (540 with 100G)
G-Factor	G	200 (optional 100G)	200 (optional 100G)	200 (optional 100G)
HEATING				
Electricity (standard)	kW	6	9	12
Steam	bar	1-8	1-8	1-8
Hot water	°C	90	90	90
Sound pressure level	dB (A)	<65	<65	<65
Water valves connection	inch	3/4"	3/4"	3/4"
Water pressure	kPa	100-800	100-800	100-800
Rec. water pressure	kPa	300-500	300-500	300-500
Water inlet	l/min	20	20	20
Drain valve	outer Ø mm	76	76	76
Flow amount with drain valve	l/min	210	210	210
Steam valve connection	inch	1/2"	1/2"	1/2"
Steam pressure	kPa	100-800	100-800	100-800
TRANSPORT DATA				
Gross weight	kg	145	185	200
Net weight	kg	135	170	190
Packed HxWxD	mm	1245 x 710 x 835	1355 x 800 x 835	1355 x 800 x 950



TYPE	A	B	C	D	E	F	G	H	I	J	K	L	M	N	O	P	Q	S
UA 80	660	785	1115	676	349	166	88	920	1010	113	218	293	415	1020	1025	535	48	180
UA 105	750	785	1225	676	342	225	98	1030	1120	113	218	338	505	1130	1135	480	42	192
UA 135	750	900	1225	788	342	225	98	1030	1120	113	218	338	505	1130	1135	480	42	192
	width	depth	height															

TO LEARN MORE, OR TO FIND A DISTRIBUTOR IN YOUR AREA, VISIT UNIMAC.COM
ALLIANCE LAUNDRY SYSTEMS - SHEPARD ST, RIPON WI 54971 - +1 800 587 5458

Consult your UniMac® distributor for details. For the most accurate information, the installation guide should be used for all design and construction purposes. Due to continuous product improvements, design and specifications subject to change without notice. The quality management systems at Alliance Laundry Systems® Ripon facility has been registered to ISO 9001:2008.

©2020 Alliance Laundry Systems LLC.

UniMac® by Alliance Laundry Systems